



Low-cost triple-coil separator offers a long list of advanced features. Ideal for use in plastics, and recycling.

Our Quicktron 03 R Metal Detectors are designed for demanding plastics applications. They feature:

- Economical, compact design
- Detects and rejects fines as small as 0.4 mm in diameter
- Accurate even with difficult products
- Recommended wherever removal of fines is critical

Quicktron 03 R units provide consistent performance in demanding applications. High-speed reject mechanics allow for compact design.

This advanced transmitter/receiver detection system comes in a money-saving package. Automatic Product-Effect Compensation minimizes loss of good product.

Units are fully self-monitoring and ideal for meeting SSOP regulations and for HACCP compliance. Integral brackets simplify mounting

Maximum Throughput

	50mm	70mm	100mm	150mm	200mm
Pellet					
30 PCF	100 CFH	333 CFH	500 CFH	1000 CFH	1500 CFH
50 PCF	60 CFH	200 CFH	300 CFH	600 CFH	900 CFH
Regrind					
30 PCF	50 CFH	233 CFH	400 CFH	833 CFH	1333 CFH
50 PCF	30 CFH	140 CFH	240 CFH	500 CFH	800 CFH

Application

- Plastics Industry

Optional Equipment

- Stainless Steel Feed Hopper
- Adaptors for Material Outlet - Good Side
- Adaptors for Material Outlet - Eject Side
- Available on Request
- See page 25 for support information

Standard Features

- Product effect compensation
- Self monitoring
- Potential free relay outputs (metal detection and failure signal)

Technical Data

- Operating Voltage : 100 - 240 V AC, 50/60 Hz
- Current Load : 75 Amp
- Reject duration : 1 - 16 sec.
- Air pressure : 80 - 100 psi
- Maximum Free Fall : 18"

Find more references and technical data on our online catalogue : www.bmsfrance.eu

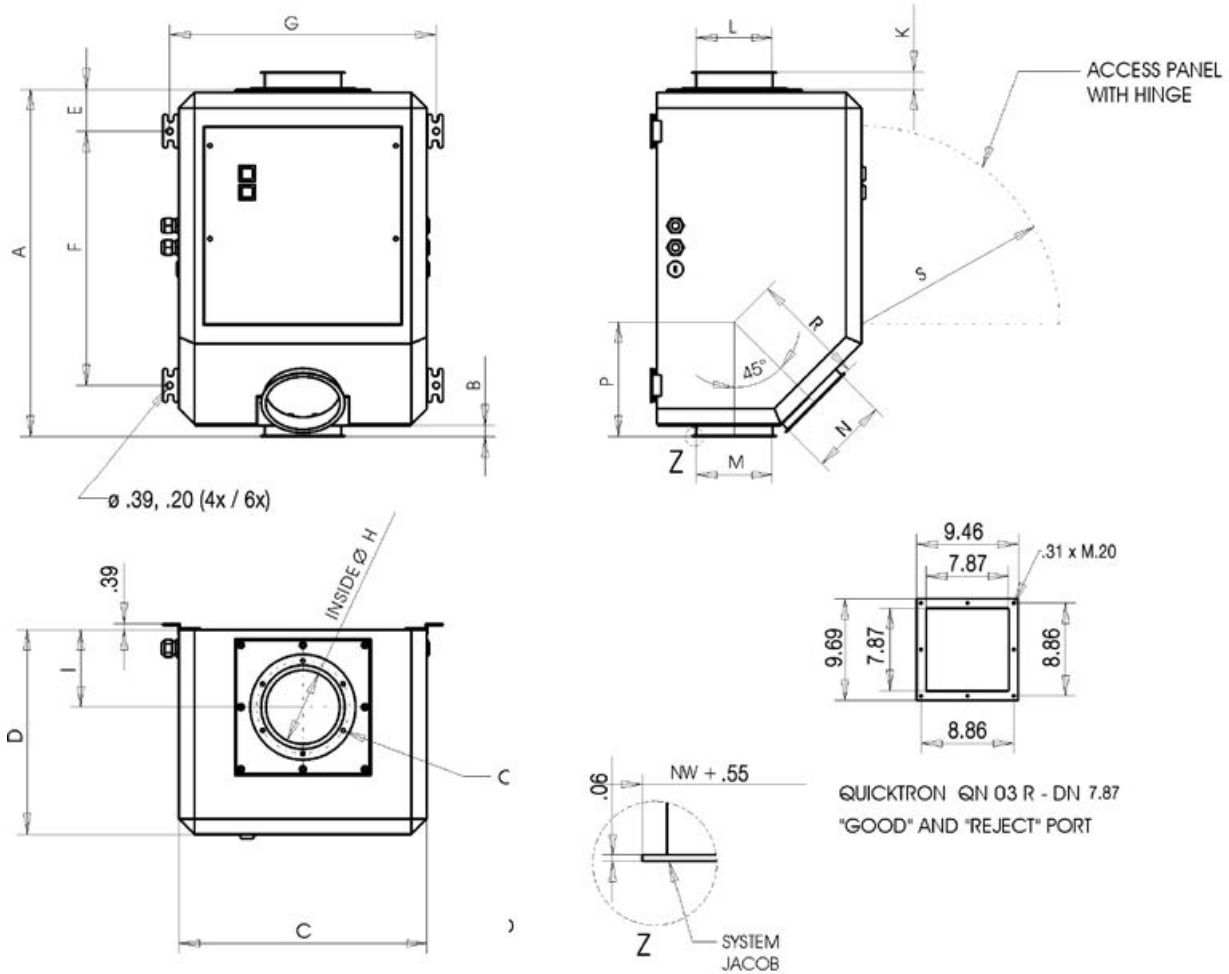
🏠 53, route des Contamines
74370 Argonay - France

☎ Tél. : +33 (0)4 50 27 29 00 - Fax. : +33 (0)4 50 27 38 22

✉ info@bmsfrance.eu

@ www.bmsfrance.eu

📺 Find illustrative videos on our Youtube channel



	DN 30	DN 50	DN 70	DN 80	DN 100	DN 120	DN 150	DN 200
A	16.54	16.54	16.54	22.70	22.70	22.05	22.59	27.56
B	.71	.71	.71	1.38	1.38	.71	.67	entf.
C	11.18	11.18	11.18	15.74	15.74	15.74	17.72	19.7
D	9.84	9.84	9.84	12.99	12.99	12.99	14.96	18.11
E	2.36	2.36	2.36	2.66	2.66	2.66	3.06	3.19
F	11.42	11.42	11.42	16.14	16.14	16.14	9.45 / 18.9	10.63 / 21.26
G	12.99	12.99	12.99	16.93	16.93	16.93	18.9	20.87
H	$\phi 1.26$	$\phi 1.77$	$\phi 2.76$	$\phi 3.15$	$\phi 3.86$	$\phi 4.37$	$\phi 5.59$	$\phi 6.97$
I	3.74	3.74	3.74	4.92	4.92	4.92	6.30	6.50
K	---	---	---	1.38	1.10	1.10	1.42	1.46
L	---	---	---	NW $\phi 3.15$	NW $\phi 3.94$	NW $\phi 4.72$	NW $\phi 5.91$	NW $\phi 7.87$
M	NW $\phi 3.15$	NW $\phi 3.15$	NW $\phi 3.15$	NW $\phi 3.15$	NW $\phi 3.94$	NW $\phi 4.72$	NW $\phi 5.91$	NW $\phi 7.87$
N	NW $\phi 3.15$	NW $\phi 3.15$	NW $\phi 3.15$	NW $\phi 3.15$	NW $\phi 3.94$	NW $\phi 4.72$	NW $\phi 5.91$	NW $\phi 7.87$
O	4xM5/ 2.83	4xM5/ 2.83	4xM5/ 5.12	6xM5/ 4.25	6xM5/ 5.12	6xM5/ 5.91	6xM5/ 7.09	6xM5/ 9.06
P	5.28	5.28	5.28	7.95	7.95	7.28	9.06	10.87
R	5.32	5.32	5.32	7.95	7.95	7.28	9.06	11.85
S	10.83	10.83	10.83	12.59	12.59	12.59	12.59	11.81
WEIGHT [lbs]	39.68	39.68	39.68	81.57	81.57	81.57	105.82	134.48

Find more references and technical data on our online catalogue : www.bmsfrance.eu

53, route des Contamines
74370 Argonay - France

Tél. : +33 (0)4 50 27 29 00 - Fax. : +33 (0)4 50 27 38 22

info@bmsfrance.eu

www.bmsfrance.eu

Find illustrative videos on our Youtube channel