



### Effortless cleaning

This furnace intended for your nozzles, points, seats, lids cleaning eliminates by carbonization all plastic waste.

Your parts are placed in a removable basket then introduced into the furnace. Electric resistances of strong power work in the surrounding enclosure in convection and brilliance assuring the cleaning.

Evacuation sheath of the gaseous emissions stemming from part treatment placed in the furnace as well as its connecting are of your supply. It is up to you to plan processing of these gaseous emissions (which we ignore nature and volume).

### Details

Furnace delivered with an inox basket, 2 mm thickness.

Basket useful dimensions : 350 x 350 x 350 mm

Door fitted with external security.

Automatic locking door with a security switch with a temperature above 80°C.

### Technical data

#### Useful dimensions:

Width: 350 mm

Depth: 350 mm

Height: 350 mm

#### External dimensions:

Width: 624 mm

Depth: 490 mm

Height: 942 mm

Construction maximum temperature: 400°C

Operating temperature: 350°C

Heating power: 4 kW


Voltage: 230 V mono

Weight: 82 kg

Regulation is covered by a proportional regulator.  
A timer allow to program operating time.

References	Basket useful dimensions	External dimensions	Operating temperature	Max. temperature	Heating power	Voltage	Weight
<b>FOUR350</b>	350 x 350 x 350	624 x 490 x 942	350°C	400°C	4 kW	230 V mono	82 kg

Find more references and technical data on our online catalogue : [www.bmsfrance.eu](http://www.bmsfrance.eu)

 Find illustrative videos on our Youtube channel

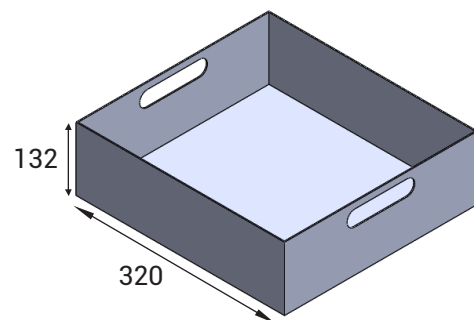
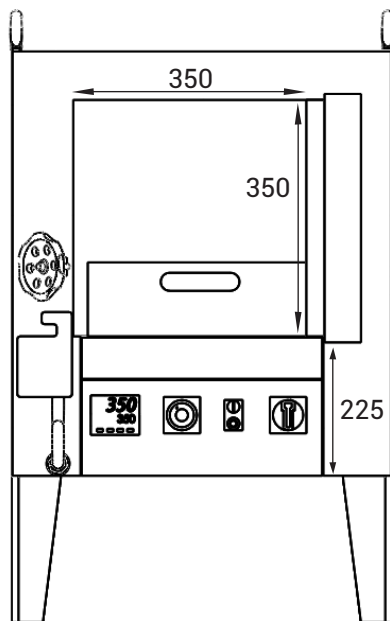
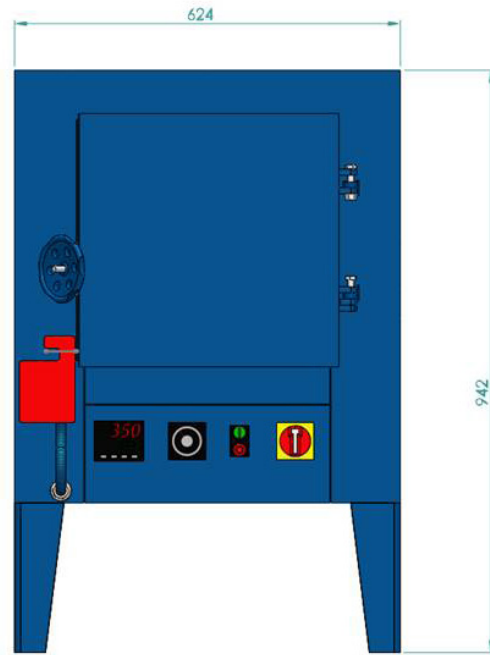
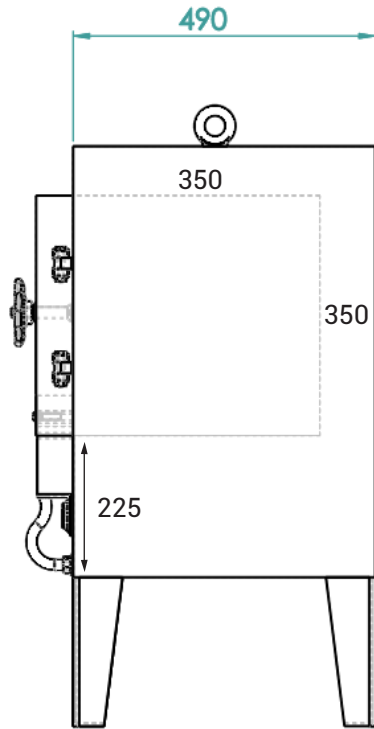
 53, route des Contamines  
74370 Argonay - France

 Tél. : +33 (0)4 50 27 29 00 - Fax. : +33 (0)4 50 27 38 22

 [info@bmsfrance.eu](mailto:info@bmsfrance.eu)

 [www.bmsfrance.eu](http://www.bmsfrance.eu)

## Dimensions



Find more references and technical data  
on our online catalogue :  
[www.bmsfrance.eu](http://www.bmsfrance.eu)

🏠 53, route des Contamines  
74370 Argonay - France

☎ Tél. : +33 (0)4 50 27 29 00 - Fax. : +33 (0)4 50 27 38 22

✉ [info@bmsfrance.eu](mailto:info@bmsfrance.eu)

@ [www.bmsfrance.eu](http://www.bmsfrance.eu)

📺 Find illustrative videos  
on our Youtube channel