

This lightweight, easy-to-use design provides powerful, high-airflow dust elimination. The gun features a high-brightness LED light, which makes dust visible.



CE RoHS

- Compact, lightweight plastic body incorporates an ergonomic grip that fits the hand comfortably.
- Includes LED illumination to make dust visible.
- Safe design features a built-in piezoelectric transformer.
- Electrode needles can be easily cleaned and replaced using Electrode Needle Replacement Screwdriver, G-7DR (separately sold).
- Both sides of the grip incorporate an operating LED and high-voltage malfunction alarm LED, allowing the user to check on the gun's operating status at any time.



LED illumination (an industry first)



Accessories



Standard Nozzle (included)
G-7SN
(EDP No. 806057)



Power Supply Transformer (included)
AD24-ITC-E (EDP No. 806067)

Primary specifications

Applied voltage	2.3 kVAC
Power supply and current consumption	24 VDC ±5%, 100 mA (max. when using LED illumination)
Weight	198 g
Air supply pressure	0.1 MPa to 0.6 MPa
Air supply hose diameter	6 mm × 4 mm
Airflow	202 L/min (at 0.3 MPa)
Noise level	84 dBA (measured 1 m from device at 0.3 MPa)
Ozone production	0.05 ppm or less (measured 50 mm from device at 0.3 MPa)
Operating temperature and humidity	5°C to 40°C, 35% to 65% RH (non-condensing, non-freezing)
Accessories	Power supply transformer No. AD24-ITC-E Standard Nozzle (G-7SN)
Optional parts	Tube-fitting Nozzle (G-7TN), Brush (G-7B), Electrode Needle Replacement Screwdriver (G-7DR)

Find all our references and technical data on our website or on our online catalogue www.bmsfrance.eu

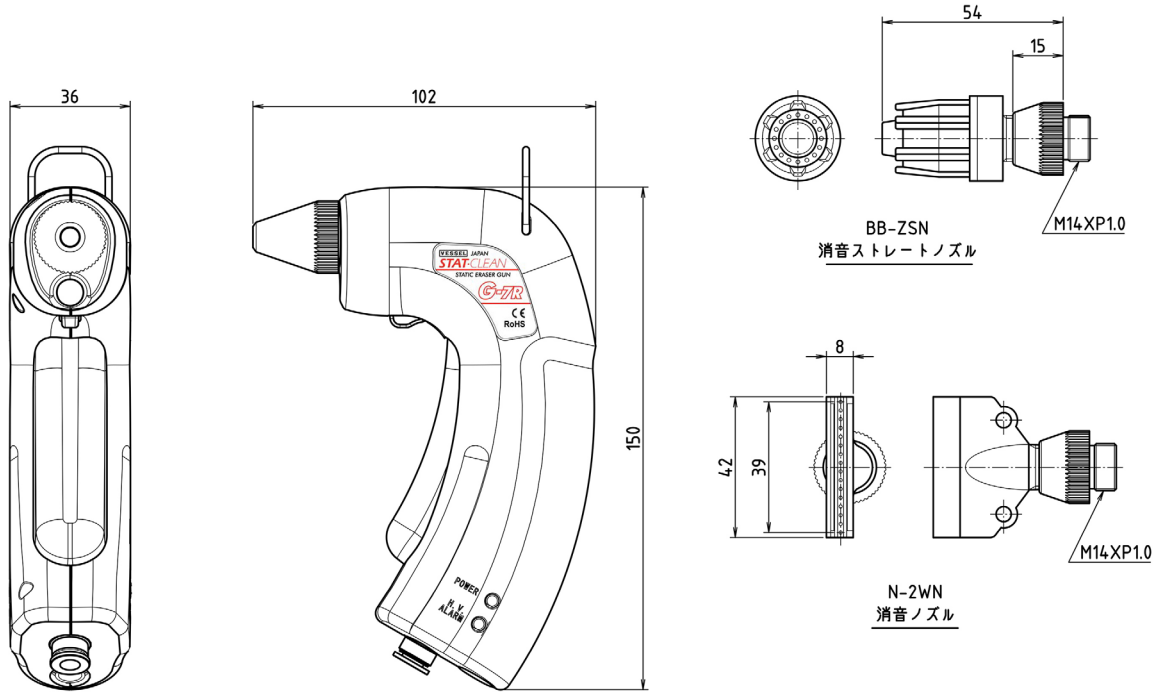
53, route des Contamines
74370 Argonay - France

Tél. : +33 (0)4 50 27 29 00 - Fax. : +33 (0)4 50 27 38 22

info@bmsfrance.eu

www.bmsfrance.eu

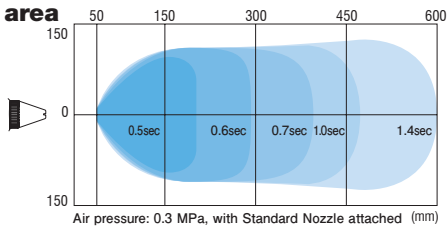
Watch our explanatory videos on our Youtube channel



Static erasing performance

Ion balance: Within ± 10 V; Decay time: 0.5 sec or less
(150 mm from surface, 0.3 MPa, Standard Nozzle)

Static erasing area



Option parts



Silent Nozzle
N-2WN
(EDP No. 806087)



ECO Eco-friendly product

Find all our references and technical data on our website or on our online catalogue www.bmsfrance.eu

53, route des Contamines
74370 Argonay - France

Tél. : +33 (0)4 50 27 29 00 - Fax. : +33 (0)4 50 27 38 22

info@bmsfrance.eu

www.bmsfrance.eu

Watch our explanatory videos on our Youtube channel