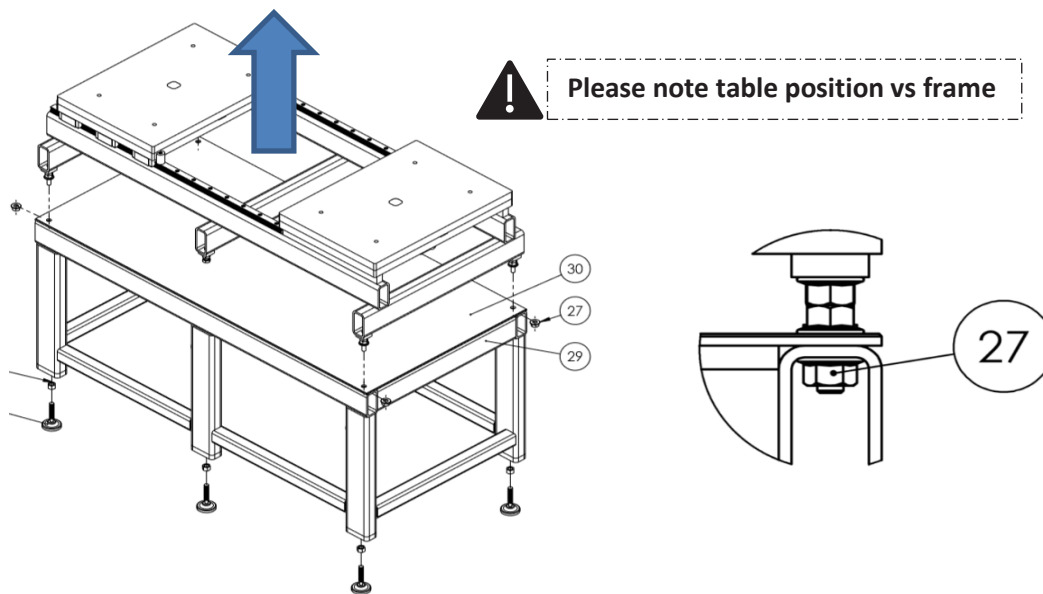


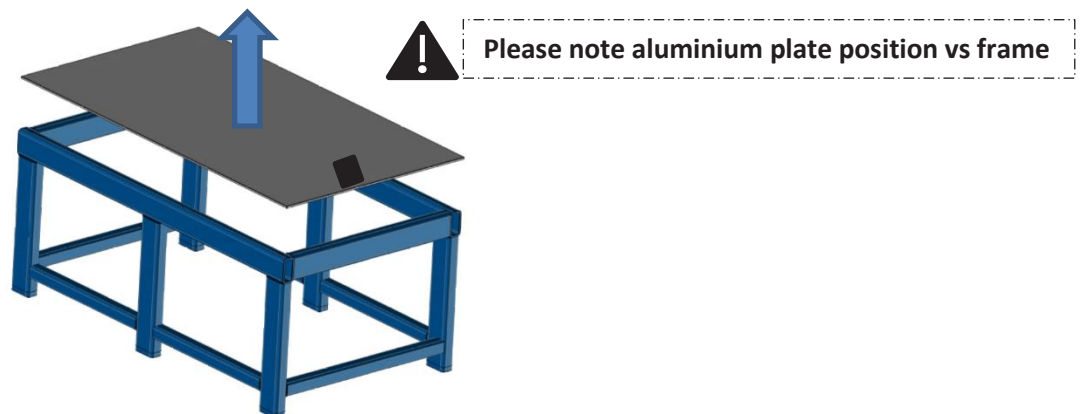


Separation of the table and frame :

1. Remove the side black plugs (x4)
2. Unscrew the 4 nuts (27) inside the profiles
3. Lift and disassemble the table of the base plasteform



4. Remove the aluminum sheet



Find more references and technical data
on our online catalogue :
www.bmsfrance.eu

🏠 53, route des Contamines
74370 Argonay - France

☎ Tél. : +33 (0)4 50 27 29 00 - Fax. : +33 (0)4 50 27 38 22

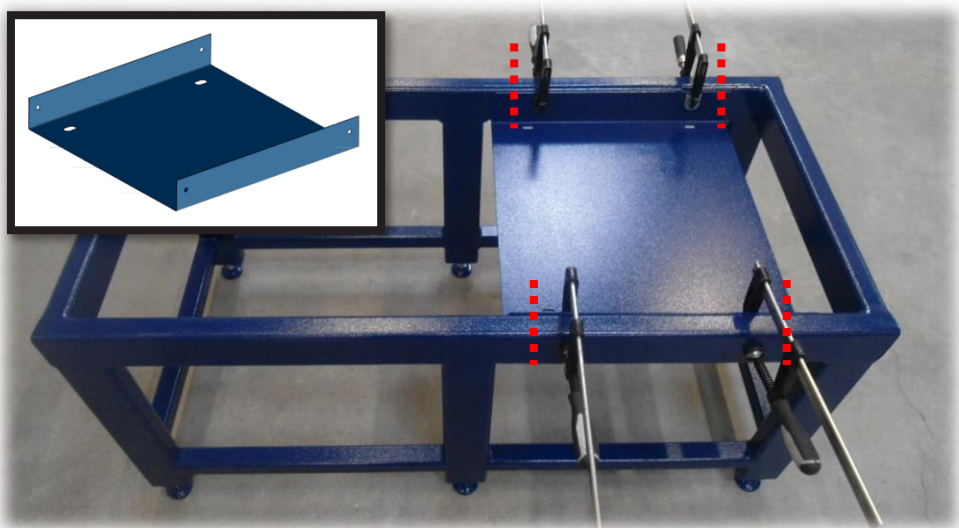
✉ info@bmsfrance.eu

@ www.bmsfrance.eu

📺 Find illustrative videos
on our Youtube channel

Fixing the drawer block support on the frame :

1. Position the drawer block bracket
2. Hold it in position using 4 clamps as below
3. Point the location of the holes
4. Drill to diameter 6.7mm to provide an M8 tapping
5. Secure the drawer block support with 4 M8 screws + washers

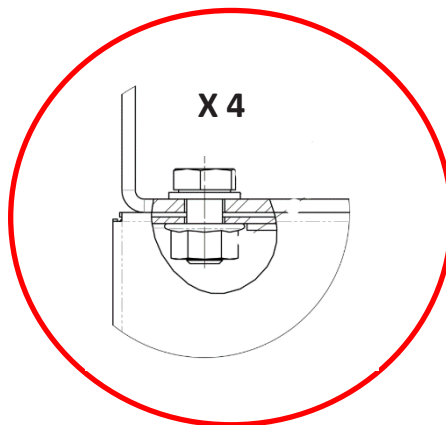
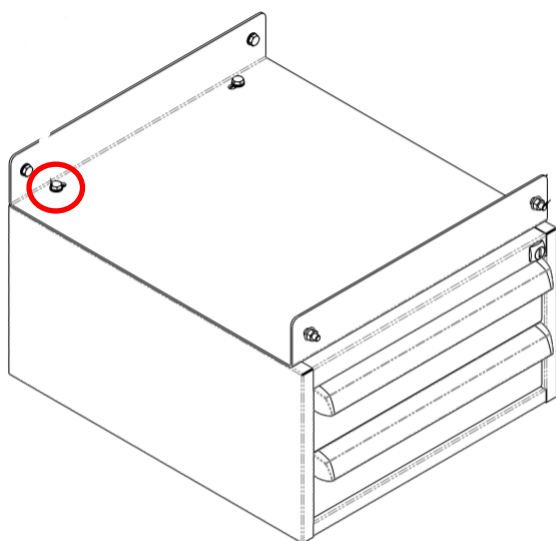


Ø6.7 → M8



Fixing the drawer on the drawer block:

1. Remove the upper drawer from the drawer
2. Position the drawer block from below by matching the holes
3. Secure with M8 screws + nuts + washers



Find more references and technical data
on our online catalogue :
www.bmsfrance.eu

🏠 53, route des Contamines
74370 Argonay - France

☎ Tél. : +33 (0)4 50 27 29 00 - Fax. : +33 (0)4 50 27 38 22

✉ info@bmsfrance.eu

@ www.bmsfrance.eu

📺 Find illustrative videos
on our Youtube channel