



Series | Flat-, bellows-, oval vacuum cups SP

Bellows vacuum cups, 1,5 and 2,5 bellows made of Varioflex - Series SP-BX

Bellows vacuum cups, 1,5 and 2,5 bellows made of Varioflex - Series SP-BX

COMPOSITE MATERIAL 60°/30°



SP-BX1



SP-BX2



Product Description

Bellows vacuum cup made of extremely wear-resistant composite material. Soft and flexible sealing lip in 30° Shore (red). Robust body made of 60° Shore (black).

Advantage

- > Long life cycle reduces machine downtimes
- > Perfect sealing performance on rough or uneven surface
- > High stability and fast reset
- > Good oil resistance
- > Resistant to ozone and weathering
- > Optimised resilience and UV resistance
- > Extremely low-marking

Technical Data

Item no.	Model	Material	Connection thread vulcanized		Number of bellows	Accessories
						Filter disc
	Bellows vacuum cups 1,5 bellows - Serie SP-BX1					
23.015.256.*	SP-BX1-15	Varioflex 60/30° (sw/r)	--	4,5	1,5	--
23.020.257.*	SP-BX1-20	Varioflex 60/30° (sw/r)	--	7	1,5	--
23.030.258.*	SP-BX1-30	Varioflex 60/30° (sw/r)	--	8	1,5	--
23.040.259.*	SP-BX1-40	Varioflex 60/30° (sw/r)	--	10	1,5	--
23.050.260.*	SP-BX1-50	Varioflex 60/30° (sw/r)	--	13	1,5	--
22.070.236.*	SP-BX1-70-G3/8-AG	Varioflex 60/30° (sw/r)	G3/8-male	17	1,5	--
22.070.237.*	SP-BX1-70-NPSF3/8-IG	Varioflex 60/30° (sw/r)	NPSF3/8-female	17	1,5	--
	Bellows vacuum cups 2,5 bellows - Serie SP-BX2					
21.020.167.*	SP-BX2-20	Varioflex 60/30° (sw/r)	--	7,5	2,5	--
21.030.168.*	SP-BX2-30	Varioflex 60/30° (sw/r)	--	10,5	2,5	78.210
21.040.169.*	SP-BX2-40	Varioflex 60/30° (sw/r)	--	14	2,5	78.211
21.050.170.*	SP-BX2-50	Varioflex 60/30° (sw/r)	--	16	2,5	78.212
20.070.131.*	SP-BX2-70-G3/8-AG	Varioflex 60/30° (sw/r)	G3/8-male	24	2,5	78.213
20.070.132.*	SP-BX2-70-NPSF3/8-IG	Varioflex 60/30° (sw/r)	NPSF3/8-female	24	2,5	78.213

Ordering notes

- Explanation of the ending of the accessory fitting:
- > S: with screen
 - > DRV: with one-way flow control valve
 - > SDRV: with screen and one-way flow control valve

* When ordering please add the appropriate material code to the item no. You will find it in the foldout.



Accessories

Item no.	Suitable fittings						
	M5-male	M5-female	M6-male	G1/8-male	NPSF1/8-female	G1/4-male	G3/8-male
Details from page	447	451	451	456	462	467	473

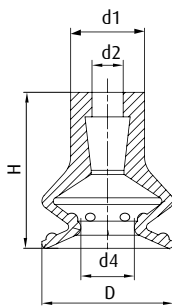
Bellows vacuum cups 1,5 bellows - Serie SP-BX1

23.015.256.*	270.134	--	270.104	--	--	--	--
23.020.257.*	--	270.500-DRV, 270.500-S	--	270.503-S, 270.503-SDRV	--	--	--
23.030.258.*	--	--	--	--	270.501-DRV, 270.501-S	270.506-S, 270.506-SDRV	270.505-S, 270.505-SDRV
23.040.259.*	--	--	--	--	270.501-DRV, 270.501-S	270.506-S, 270.506-SDRV	270.505-S, 270.505-SDRV
23.050.260.*	--	--	--	--	270.502-DRV, 270.502-S	270.504-S, 270.504-SDRV	270.507-S, 270.507-SDRV
22.070.236.*	--	--	--	--	--	--	--
22.070.237.*	--	--	--	--	--	--	--
Details from page	447	451	451	456	462	467	473

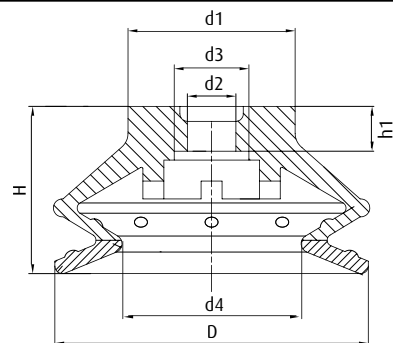
Bellows vacuum cups 2,5 bellows - Serie SP-BX2

21.020.167.*	--	270.500-DRV, 270.500-S	--	270.503-S, 270.503-SDRV	--	--	--
21.030.168.*	--	270.500-DRV, 270.500-S	--	270.503-S, 270.503-SDRV	--	--	--
21.040.169.*	--	--	--	--	270.501-DRV, 270.501-S	270.506-S, 270.506-SDRV	270.505-S, 270.505-SDRV
21.050.170.*	--	--	--	--	270.502-DRV, 270.502-S	270.504-S, 270.504-SDRV	270.507-S, 270.507-SDRV
20.070.131.*	--	--	--	--	--	--	--
20.070.132.*	--	--	--	--	--	--	--
Details from page		451		456	462	467	473

Dimensions



Bellows vacuum cups 1,5 bellows - Serie SP-BX1
Ø 15,5 mm



Bellows vacuum cups 1,5 bellows - Serie SP-BX1
Ø 21 | 31 | 42 | 52 mm

① = O-ring NBR

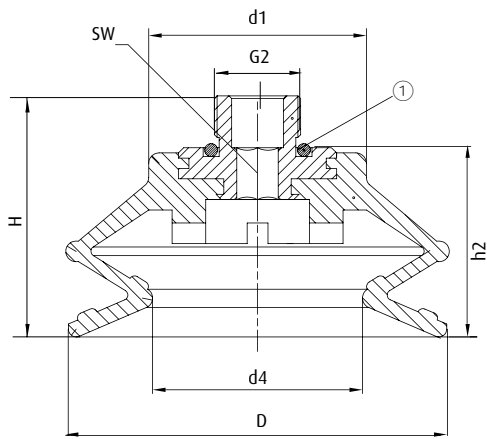
* When ordering please add the appropriate material code to the item no. You will find it in the foldout.



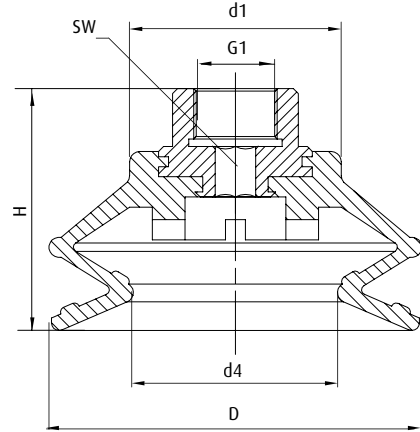
Series | Flat-, bellows-, oval vacuum cups SP

Bellows vacuum cups, 1,5 and 2,5 bellows made of Varioflex - Series SP-BX

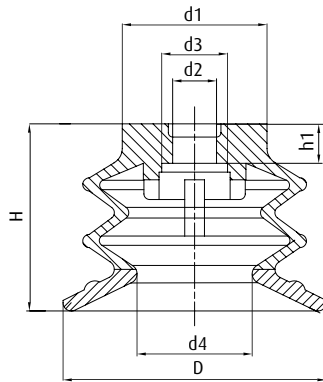
Dimensions



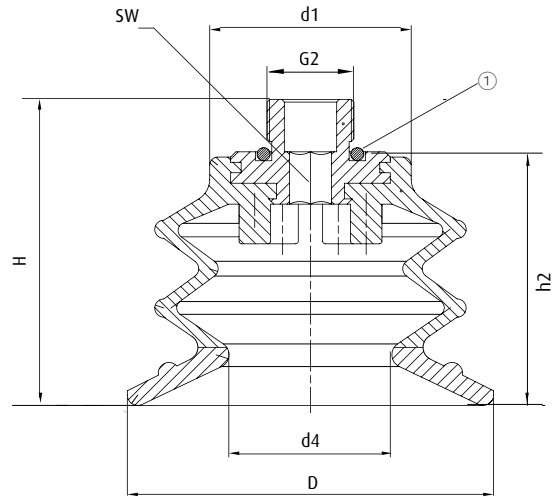
Bellows vacuum cups 1,5 bellows - Serie SP-BX1
Ø 73 mm



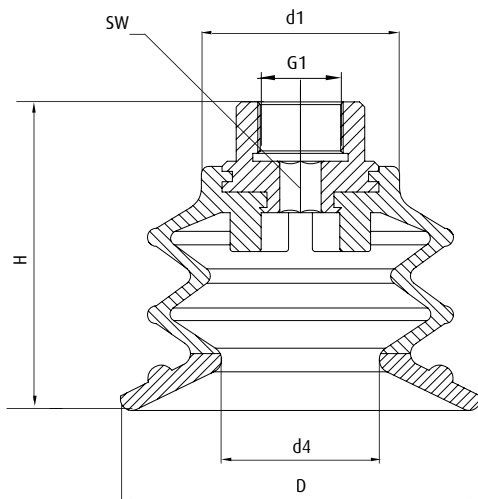
Bellows vacuum cups 1,5 bellows - Serie SP-BX1
Ø 73 mm



Bellows vacuum cups 2,5 bellows - Serie SP-BX2
Ø 21 | 30 | 40 | 50 mm



Bellows vacuum cups 2,5 bellows - Serie SP-BX2
Ø 70 mm



Bellows vacuum cups 2,5 bellows - Serie SP-BX2
Ø 70 mm

① = O-ring NBR

* When ordering please add the appropriate material code to the item no. You will find it in the foldout.

Series | Flat-, bellows-, oval vacuum cups SP

Bellows vacuum cups, 1,5 and 2,5 bellows made of Varioflex - Series SP-BX



Item no.	Ø D [mm]	Ø d1 [mm]	Ø d2 [mm]	Ø d3 [mm]	Ø d4 [mm]	G1	G2	H [mm]	h1 [mm]	h2 [mm]	SW
Bellows vacuum cups 1,5 bellows - Serie SP-BX1											
23.015.256.*	15,5	9	4	--	6,5	--	--	19	--	--	--
23.020.257.*	21	12	5	7,5	10	--	--	18	4,5	--	--
23.030.258.*	31	16,8	6,5	10	18	--	--	16,8	6	--	--
23.040.259.*	42	22	6,5	10	24	--	--	22,4	6	--	--
23.050.260.*	52	28	10,5	14	30	--	--	29,5	8	--	--
22.070.236.*	73	42	--	--	40,5	--	G3/8	46,5	--	36,5	8
22.070.237.*	73	42	--	--	40,5	NPSF3/8	--	48	--	--	8
Bellows vacuum cups 2,5 bellows - Serie SP-BX2											
21.020.167.*	21	12	5	7,5	11,5	--	--	14,5	4,5	--	--
21.030.168.*	30	16,5	5	7,5	13	--	--	21,3	4,5	--	--
21.040.169.*	40	22	6,5	10	17,5	--	--	28	6	--	--
21.050.170.*	50	27,5	10,5	14	22	--	--	35,5	8	--	--
20.070.131.*	70	38,5	--	--	31	--	G3/8	58,5	--	48,5	8
20.070.132.*	70	--	--	--	--	NPSF3/8	--	60	--	--	8

* When ordering please add the appropriate material code to the item no. You will find it in the foldout.